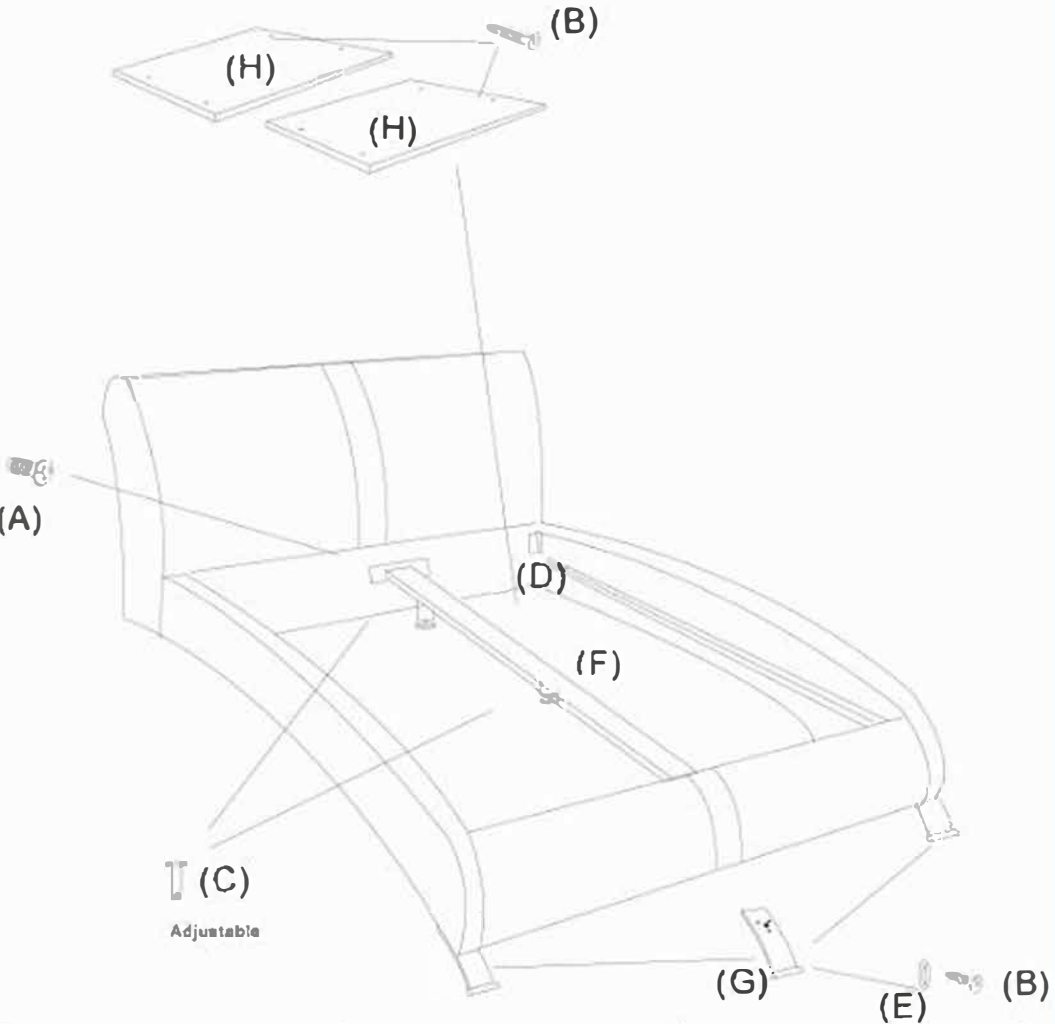


# Model: Modelo



Components/QTY		Components/QTY		Components/QTY	
Screw1	(A) 20	Screw3	(E) 2		
Screw2	(B) 24	Crossbeam	(F) 1		
Legs(Bedframe)	(C) 2	Legs	(G) 2		
Corner	(D) 4	Board	(H) 4		